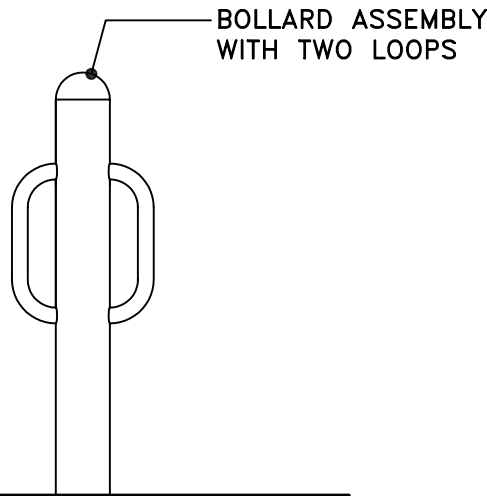


TOP VIEW

2'-11 1/4"  
(895 mm)



0'-0"

FINISHED GRADE

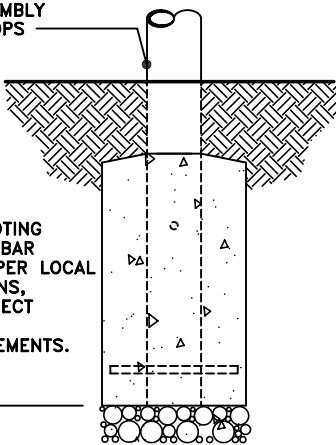
FRONT VIEW

BOLLARD ASSEMBLY WITH TWO LOOPS

0'-0"  
FINISHED GRADE

NOTE:  
CONCRETE FOOTING AND NO. 4 REBAR (BY OTHERS) PER LOCAL SOIL CONDITIONS, CONSULT PROJECT ENGINEER FOR EXACT REQUIREMENTS.

-(2'-3")  
-(686 mm)



2172-E (DIRECT EMBEDMENT)

BOLLARD ASSEMBLY WITH TWO LOOPS

BASE COVER

PEDESTAL MOUNT BASE

HEX SOCKET SET SCREW (TYPICAL-3)

5/8" (16 mm) DIAMETER HOLES PROVIDED FOR ANCHORS BY OTHERS (TYPICAL-3)

2172-P (PEDESTAL MOUNT)

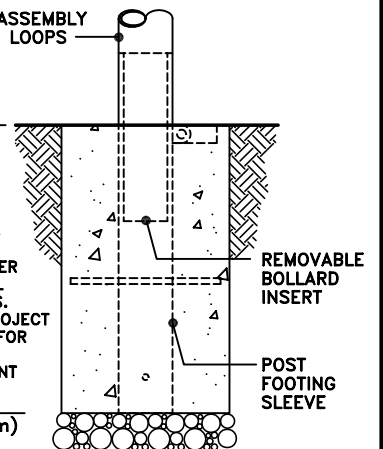
BOLLARD ASSEMBLY WITH TWO LOOPS

0'-0"

FINISHED GRADE

NOTE:  
CONCRETE FOOTING AND NO. 4 REBAR (BY OTHERS) PER LOCAL SOIL CONDITIONS, CONSULT PROJECT ENGINEER FOR EXACT REQUIREMENT

-(2'-0")  
-(610 mm)



2172-R (REMOVABLE MOUNT)

This drawing reveals the copyrighted intellectual property of Columbia Cascade Company. Not for use by others without our express, written authorization.

Authorization for use is hereby granted to architects, landscape architects and similar design professionals solely for the purpose of specifying TimberForm products.



COLUMBIA CASCADE COMPANY

Makers of TimberForm®, PipeLine®, RePlay®, TimberForm®-2, InterPlay®, CycLoops® and CycLocker® Products.

1300 S.W. Sixth Avenue, Suite 310 Telephone 503/223-1157  
Portland, Oregon 97201-3464 Facsimile 503/223-4530  
U.S.A.

WWW.TIMBERFORM.COM

Title:

TIMBERFORM CYCLOOPS

MODEL NO. 2172

BOLLARD CYCLOOPS WITH TWO LOOPS



Scale  
3/4"=1'-0"

Drawn by: AT 07-04-10  
Ck'd by:

Drawing No.  
W-2172

Sheet  
1 of 1